



SMT-024-192VTD52JV2

24V Constant Voltage 192W Driver 5-in-1 Dimmable



Project: _____

Location: _____

Qty: _____

Notes: _____

DESCRIPTION

24V 192W class 2 power supply with built-in wiring compartments for line and low voltage connections
 5-in-1 forward and reverse phase dimming:
 TRIAC / ELV / MLV, 0-10V, 1-10V, Potentiometer, 10V PWM

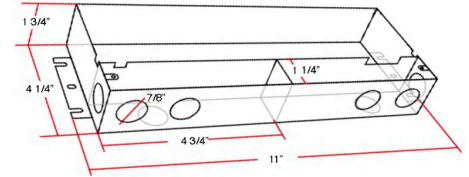
FEATURES & BENEFITS

- 120V - 277V AC input
- Built-in power factor correction, PF > 0.98
- Protections:
 short circuit, over-voltage, over-heat, over-load
- Multiple knock-outs for easy wiring
- Minimum / Maximum Load: 2 x 9.6W / 2 x 96W
- 0.5 second start time

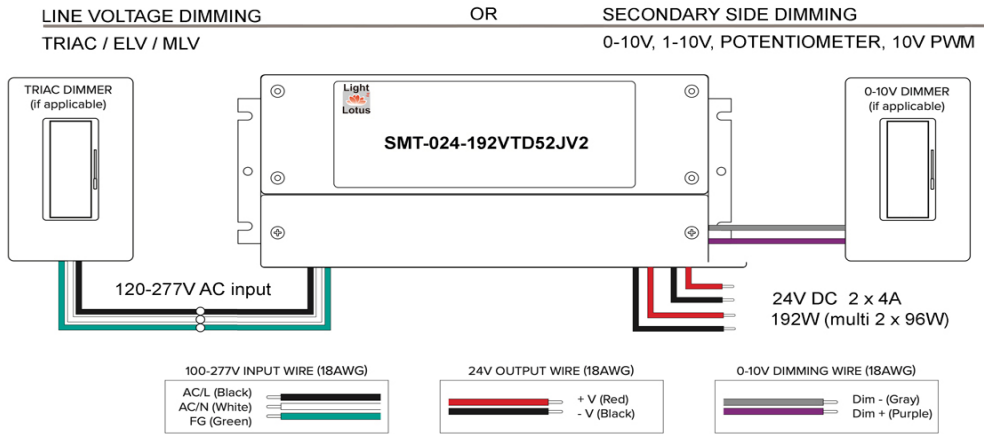
SPECIFICATION	
Applications	LED Tape, 24V Ceiling Fixtures
Power	2 x 96 W
Input	120V - 277 V AC
Output V / A	24V DC 2 x 4 A
Dimmability	TRIAC, 0-10V, 1-10V, Pot., 10V PWM
Approved Location	Dry, Damp & Wet Locations
Wiring Volume	10 cu in per chamber
Ambient Temperature	-40°F (-40°C) to +140°F (+60°C)
Warranty	7 Year
Certification	c UL us

DIMENSIONS:

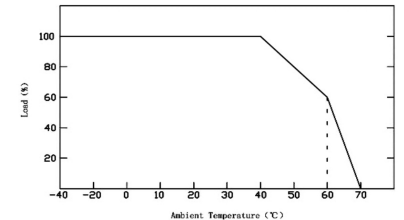
11" x 4 1/4" x 1 3/4"



WIRING DIAGRAMS



Derating Curve - load accordingly



ORDERING GUIDE SMT-024-192VTD52JV2

COMPLIANCE

Class 2, Type HL, FCC



WARNING:

Do not exceed ambient temperature range from -40°F (-40°C) to +140°F (+60°C). Please mount in a shaded area or when mounted indoors install in a well-ventilated area. Failure to follow these instructions could lead to overheating, short life and void the warranty.

Lotus LED Lights USA

www.LotusLEDLights.com

Lotus LED Lights CANADA

250 H Street # 301, Blaine WA 98230 tel 360-200-5500
 Hainesport NJ, Naples FL, Dallas TX, Vancouver WA

800-15355 24 Ave Box 200, Surrey BC V4A 2H9 tel 604-538-3090
 Delta BC & Mississauga ON