



# SC-8-10-TW

## Tape to Wire Screw Connector



Project: \_\_\_\_\_

Location: \_\_\_\_\_

Qty: \_\_\_\_\_

Notes: \_\_\_\_\_

### DESCRIPTION

Tape to Wire Screw Connector for 8mm & 10mm tape light

### ORDERING GUIDE

MODEL # **SC-8-10-TW**

### INSTALLATION INSTRUCTIONS

Packaging: Individually packaged with installation instructions

### Specification

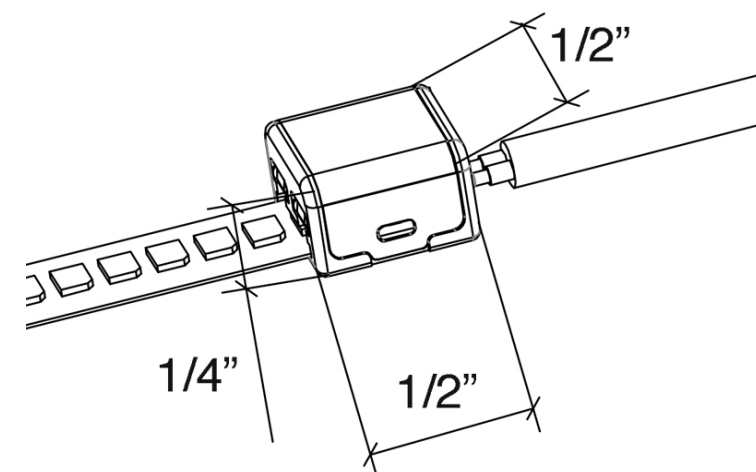
Input voltage	IP rating	Rated current	Product dimension	Under Materials	Working environment	Installation method
12VDC / 24VDC	IP20	10A	11mm*11.9mm*6.5mm	Heat Resistant PC +65% copper	-10°~45°	Screws

### Installation

- Gently remove the metal cover (C)
- Unscrew the 4 screws of the connector (A)
- Insert the end of LED tape light (B) into the connector opening (A) without middle wall. Tape could be inserted only on this side of the connector. Align the connection points (B1 & B2) to be right under the screws (A1 & A2)
- Screw down the 2 screws (A1 & A2) until firm contact with the LED tape is secured. Do not over tight
- Insert the wires into the other side of the connector with copper taps. Observe the polarity of the tape and wires to power supply
- Screw down the 2 screws (A3 & A4) until firm contact with the wires is secured. Do not over tight
- Mount back the metal cover (C) by pressing down on the connector until it clicks in place. Note that the notches are asymmetrical and observe the direction of the cover to match the connector bulges

**NOTE:**  
These connectors DO NOT FIT into the XC610 aluminum channels that we supply.

### DIMENSIONS



Lotus LED Lights USA

250 H Street # 301, Blaine WA 98230 tel 360-200-5500  
Hainesport NJ, Naples FL, Vancouver WA

[www.LotusLEDLights.com](http://www.LotusLEDLights.com)

mailing addresses  
warehouses

Lotus LED Lights CANADA

702 Chester Rd, Delta BC V3M 6J1 tel 604-538-3090  
Delta BC & Mississauga ON