



LED-2-S11W-EY

2" Round Gimbal LED 11W

Project: _____

Location: _____

Model: _____ Qty: _____

Notes: _____

DESCRIPTION

2" Round Gimbal Recessed LED
With Integral Driver In Connection Box

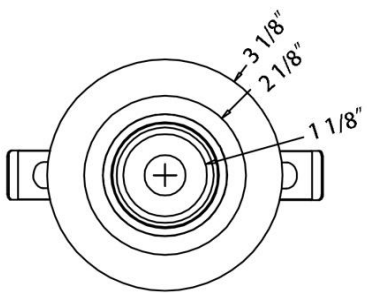
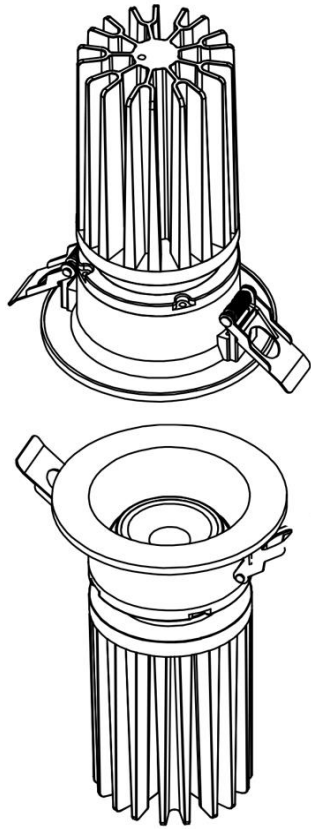
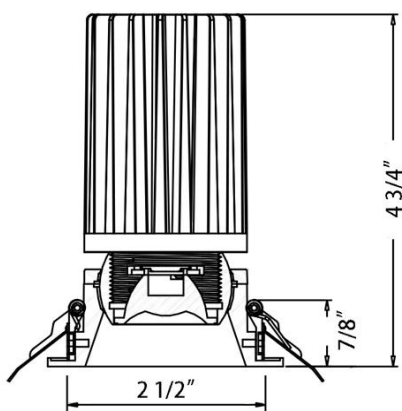
FEATURES & BENEFITS

- Up to **20° tilt** for sloped ceilings and wall washing
- 5CCT** user selectable 2700-3000-3500-4000-5000K or **Dim to Warm** 3000-1800K
- Light output up to **1000 lm**
- CRI 90+** for True Color Rendering
- 5" Deep** - Install Where Ceiling Space Is Limited
- Type IC Rated** - No Housing Required
- Wet Location** Approved
- Driver Inside Connection Box** - No Junction Box Needed
- 120V Triac** Dimmable or **120-347V 0-10V** Dimmable Drivers

SPECIFICATION	
Applications	General Lighting, Sloped Ceilings, Highlighting Artwork
Power	11 W
Color Temperature (K)	2700K - 3000K - 3500K - 4000K - 5000K - DTW 30-18K
Light Output White Trim (lm)	910 - 960 - 1030 - 1080 - 1070 - 900
Halogen Equivalent	90 W
Beam Angle	38° (standard), 24° & 60° available as adder
Tilt Angle	20°
CRI	90 +
Default Driver Input & Dimming	120V AC 50/60 Hz - Triac Dimmable
Optional Driver Input & Dimming	120V-347V AC 50/60 Hz - 0-10V Dimmable
J-Box Volume	6.53 in ³ / 2 in 2 out 12AWG
Approved Location	Insulated Ceiling & Wet Locations
Air Tight	Yes
Ambient Temperature	-4°F (-20°C) to +104°F (+40°C)
Projected Life	70% Light Output at 50,000 Hours
Certification	cETLus
Warranty	5 Year

DIMENSIONS: ID 2 1/2" ; OD 3 1/8" : Cut Out 2 5/8"

Ceiling Clearance Required: 5" 120V Triac Dim Driver Included



AVAILABLE TRIMS



White

Black

Oil Rubbed Bronze

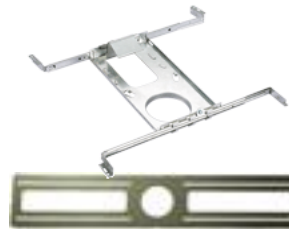
ORDERING GUIDE

	CCT	Trim	Beam Angle
LED-2-S11W-5CCT-WH-EY	5CCT	White	blank for 38°
LED-2-S11W-DTW-WH-EY	Dim to Warm	White	-24D for 24°
LED-2-S11W-5CCT-BK-EY	5CCT	Black	-60D for 60°
LED-2-S11W-DTW-BK-EY	Dim to Warm	Black	
LED-2-S11W-5CCT-ORB-EY	5CCT	Oil Rubbed Bronze	
LED-2-S11W-DTW-ORB-EY	Dim to Warm	Oil Rubbed Bronze	

Default beam angle is 38°, Optional 24° & 60°

ACCESSORIES

Sold Separately



[Flanged Mounting Plate with bars model FRP212](#)



[Flat Mounting Plate model RIP212](#)



[Jumper Cables 10 ft 5CCT model JC-5CCT-10](#)



[Jumper Cables 10 ft DTW model JC-10](#)

[0-10V Driver 120-347V for 5CCT HBL012-AW-10-01A-5CS](#)

[0-10V Driver 120-347V for DTW HBL012-AW-10-01L](#)

Lotus LED Lights USA

250 H Street # 301, Blaine WA 98230 tel 360-200-5500
Hainesport NJ, Naples FL, Vancouver WA

www.LotusLEDLights.com

mailing addresses
warehouses

Lotus LED Lights CANADA

1080 Cliveden Ave # 6, Delta BC V3M 6G6 tel 604-538-3090
Delta BC & Mississauga ON